

CPRI CABLE
9/125 Single Mode 7mm Patchcord

Product Code: 7MMSM2LCLCAL

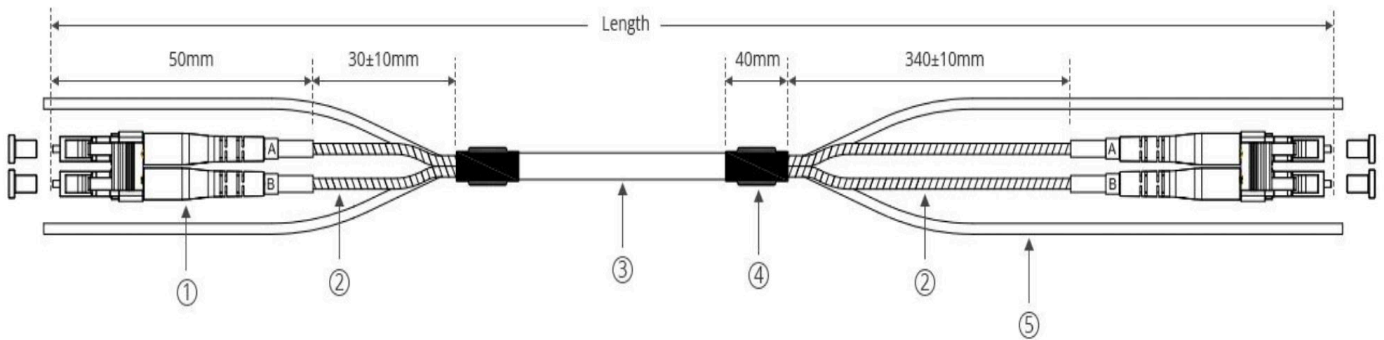
FTTA Fiber Patch Cable Datasheet

DESIGNED FOR OUTDOOR BASE STATION CONSTRUCTION

FTTA patch cable is designed for high reliability in heavy industrial and harsh environment applications, including fiber to the antenna solution. Consisting of Corning fiber cable and LC UPC duplex connectors, the cable features superior crush resistance and a high degree of flexibility with the armored tube. Furthermore, the cable features a flame retardant LSZH jacket which is UV stabilized and highly resistant to chemicals commonly found in industrial environments, also suitable for both indoor and outdoor industrial installations.



Technical Drawing



STANDARDS COMPLIANCE

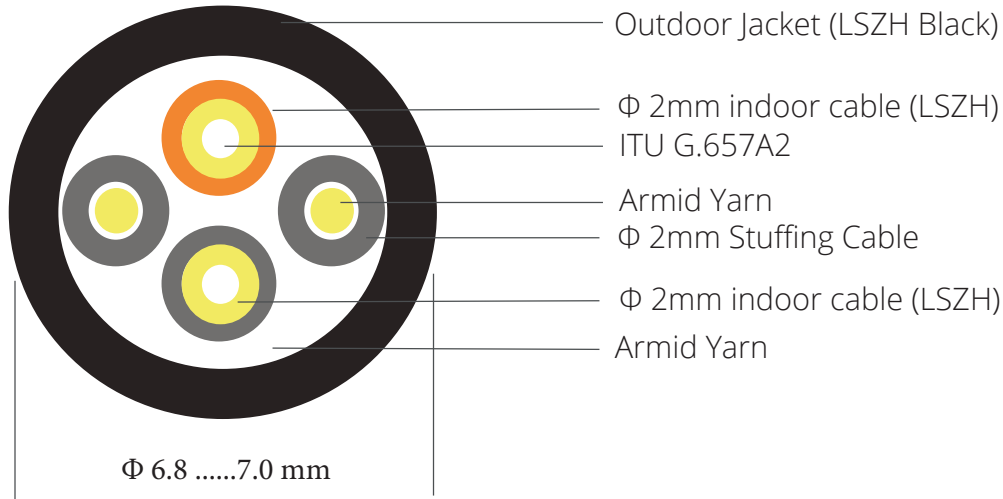
- IEC 61754 series compliant
- Qualified to Telcordia GR-326-Core
- ISO 9001, RoHS compliant

Number	Explanation
1	LC UPC Connector (LC, SC, ST.etc..)
2	Armored Tube
3	Φ7.0mm Outer Cable Jacket
4	Heat Shrink Tube
5	Strength Member

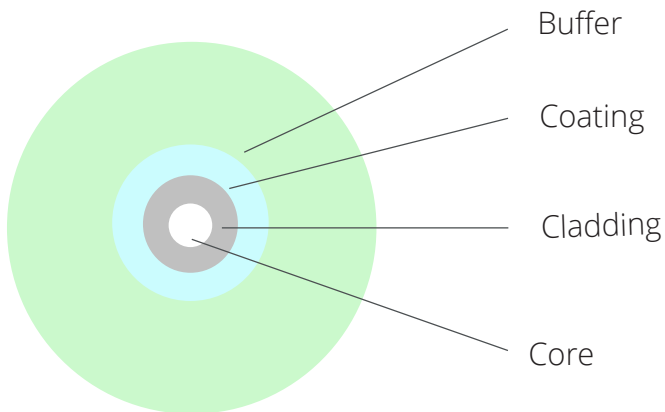
SPECIFICATIONS

1. Cable

1.1 Structure:



2. Single Mode Fiber



SPECIFICATIONS

- Jacket of Fiber: (FR) PE, LSZH
- Fiber Type: G657A2B2
- 2 Fiber or 4 Fiber upon request
- Water and dustproof, comply with IP 67
- LC, SC, MU, etc.. connector option
- Tensile force > 300N
- Insertion Loss: Typical 0.25 dB / km @1310 nm
- Return Loss (for single mode) : > 50 dB for UPC, > 65 dB for APC
- Working Temperature: -40 C / +85 C
- Minimum installation temperature: -15 C / +60 C
- Storage temperature: -40 C / +80 C

CONNECTOR SPECIFICATIONS

	CONNECTOR A	CONNECTOR B
Insertion Loss	≤ 0.2 dB	≤ 0.2 dB
Return Loss	≥ 55 dB	≥ 55 dB
Endurance	1000 times.	1000 times.
Other parameters meet standard	GR326	GR326

Cable is overwritten '

Fibline- Single Mode LSZH CPRI CABLE- (Production year as number) www.fiberfox.com.tr - 0000M