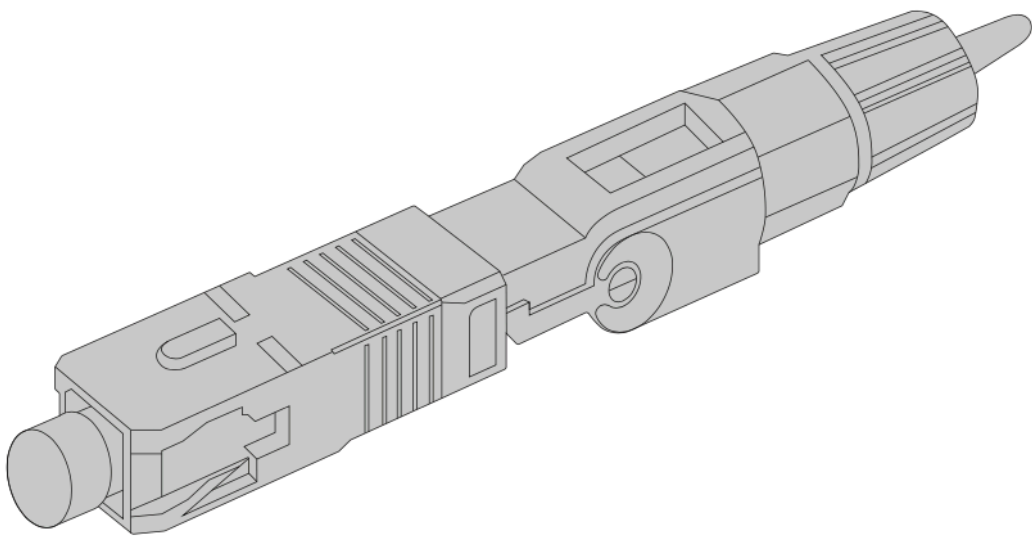


SC UPC/APC FIELD FAST CONNECTORS



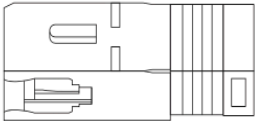
Quick Start Guide

V 2.1

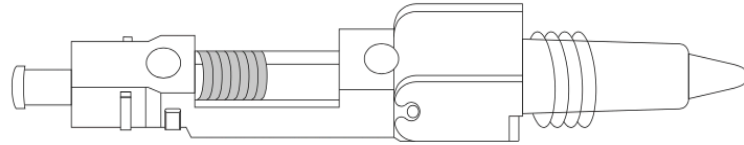
Copyright © 2021 FIBLINE All Rights Reserved.

1

Product View



SC housing



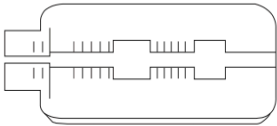
Fast connector



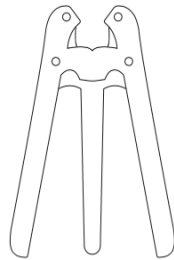
Screw cap

2

Accessories



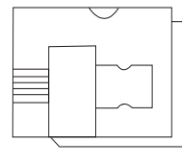
1X



1X



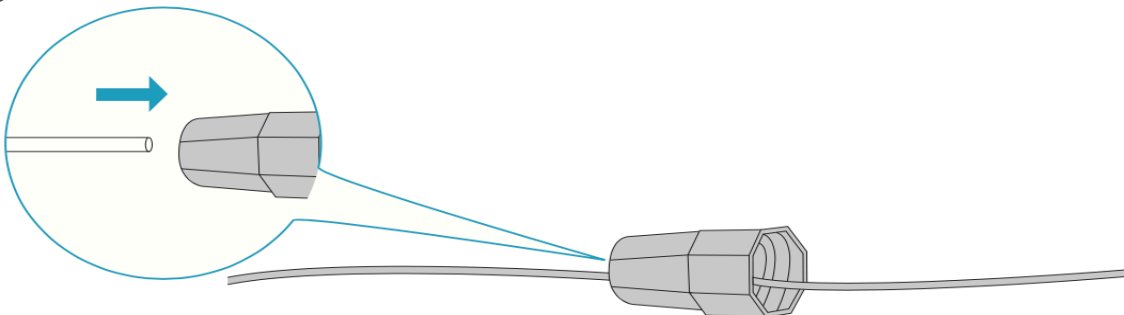
1X



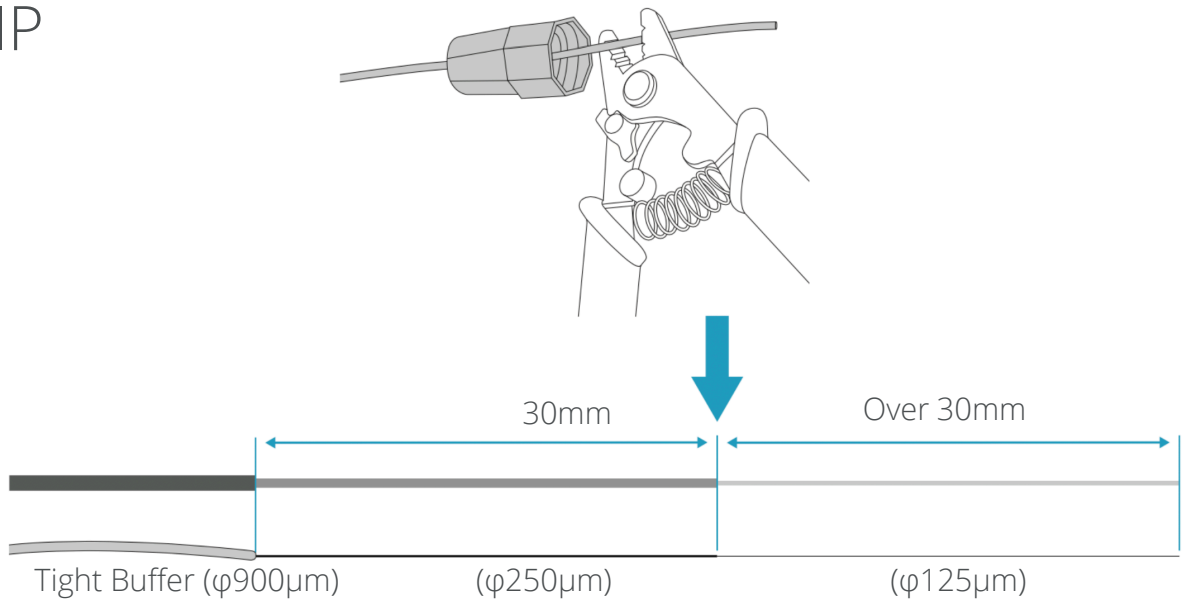
1X

Optional (Not Included)

3



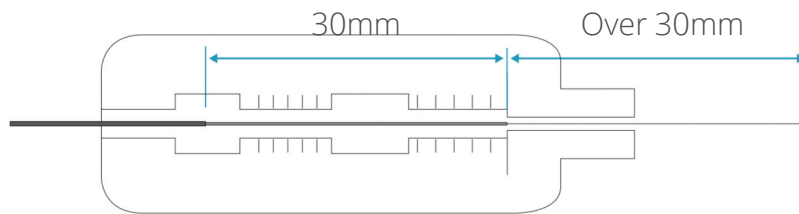
4 STRIP



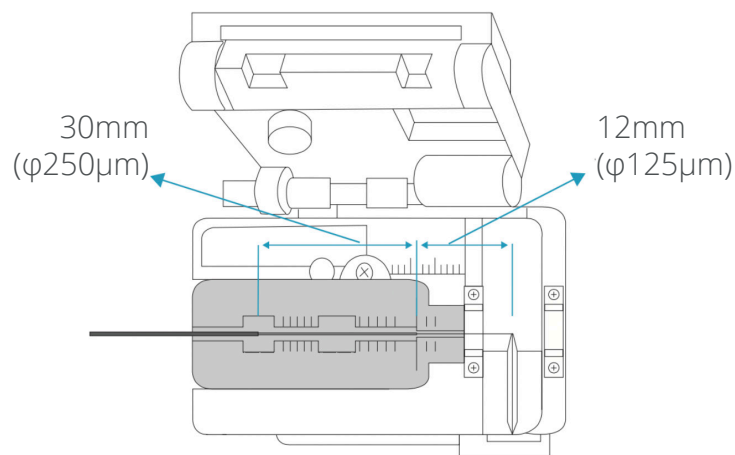
NOTE:

1. Strip off the 900μm tight buffer to 250μm and 125μm as shown above.
2. Clean the fiber after stripping.

5



Length Fixed Instrument

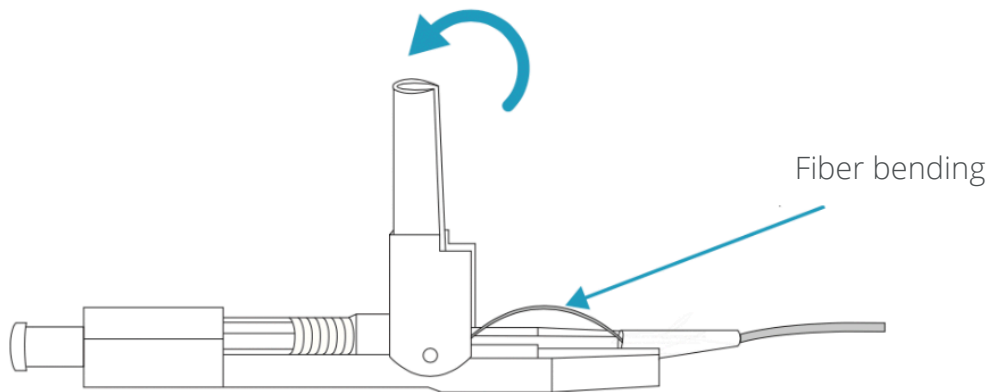


Cleaver

NOTE:

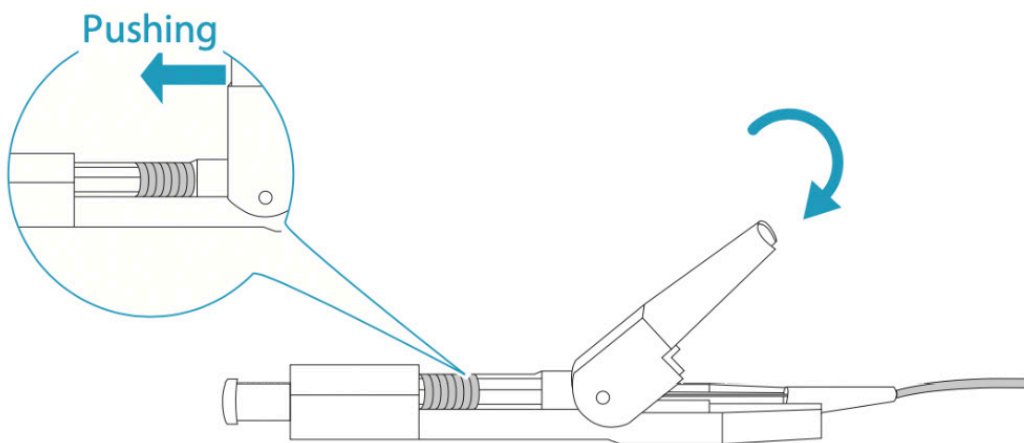
Cut the bare fiber of 125μm to be 12mm with a cleaver and check the length.

6

**NOTE:**

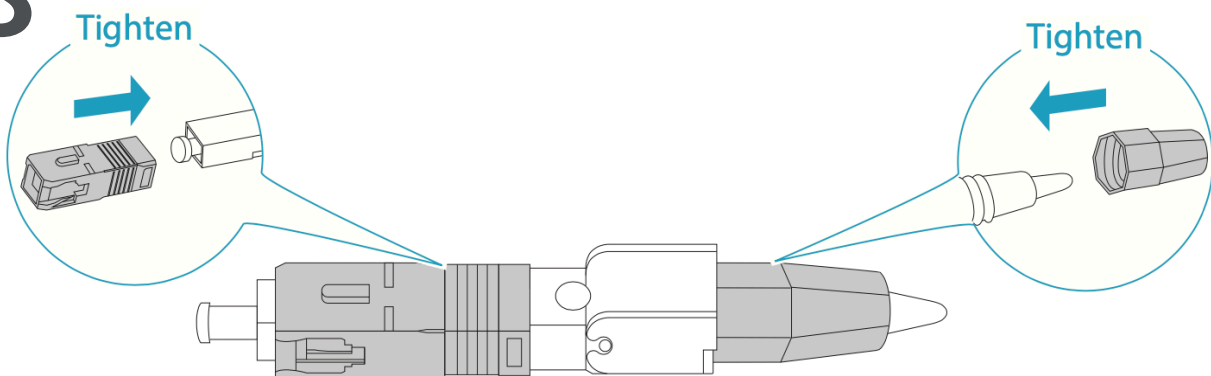
Do not break the fiber.

7

**NOTE:**

1. Push the yellow cover towards the top to lock the fiber.
2. If you need to reassemble the fiber, pull the yellow cover in reverse with procedure 7. Then pull out the fiber and reassemble.

8

**NOTE:**

Tighten the housing and the screw cap, then the fiber cannot be reassembled.